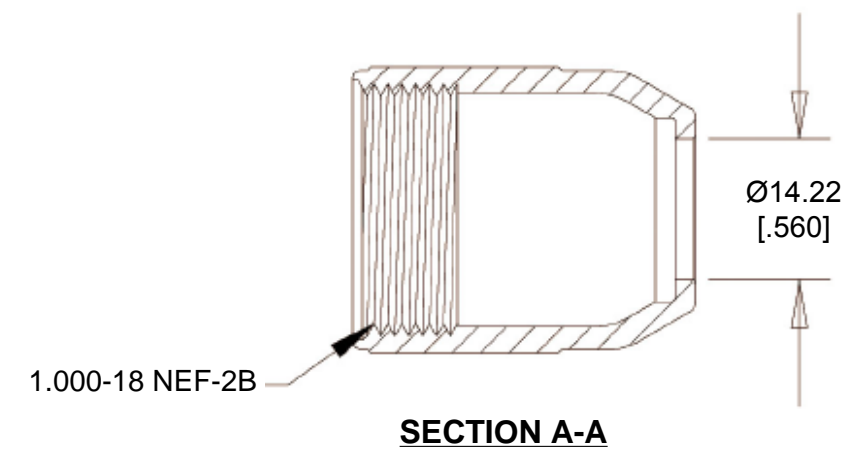
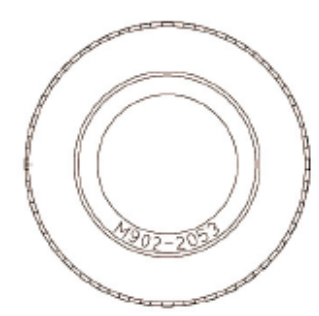
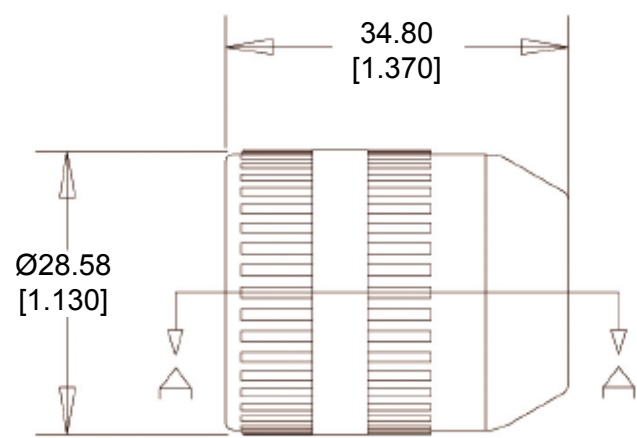


REVISIONS				
P	LTR	DESCRIPTION	DATE	APVD
A		NEW RELEASE PER ECO-14-013592	09-05-14	DM



- 4. PART NO. M902-2053
- 3. CABLE SIZE: Ø.430 - Ø.570
- 2. TEMPERATURE RATING: -40°C TO +134°C [-40°F TO +273°F]
- 1. THIS PART IS USED WITH
 BACKSHELL, M902-2163 (HD10, SIZE 6)
 BACKSHELL, M902-2193 (HD10, SIZE 9)
 BACKSHELL, M902-2243 (HDP20, SIZE 24 -L015 MOD)

THIS DRAWING IS A CONTROLLED DOCUMENT.		DWN D. MEYER 05SEP2014		
DIMENSIONS: MM [INCH]		CHK I. GRANTCHAROVA 05SEP2014		
TOLERANCES UNLESS OTHERWISE SPECIFIED:		APVD D. MEYER 05SEP2014	NAME NUT, COMPRESSION, SIZE 6,9,24 CABLE SIZE: Ø.430 - Ø.570 HD10/HDP20 SERIES	
		PRODUCT SPEC	RESTRICTED TO	
MATERIAL PC/PBT		APPLICATION SPEC	SIZE A3	CAGE CODE 4AFU8
FINISH BLACK		WEIGHT 9.32 g	DRAWING NO. M902-2053	
		Customer Drawing	SCALE NONE	SHEET 1 OF 1 REV A